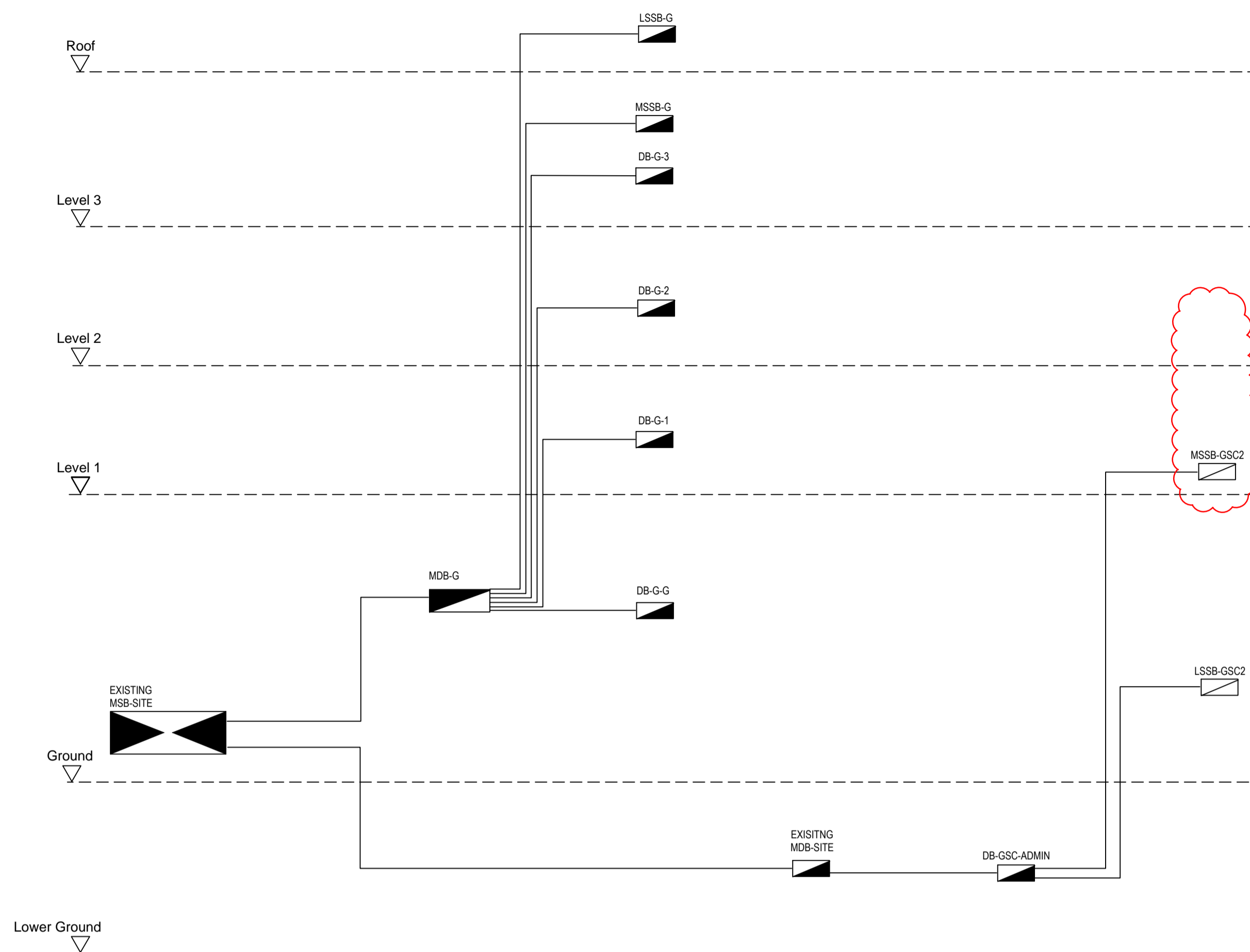
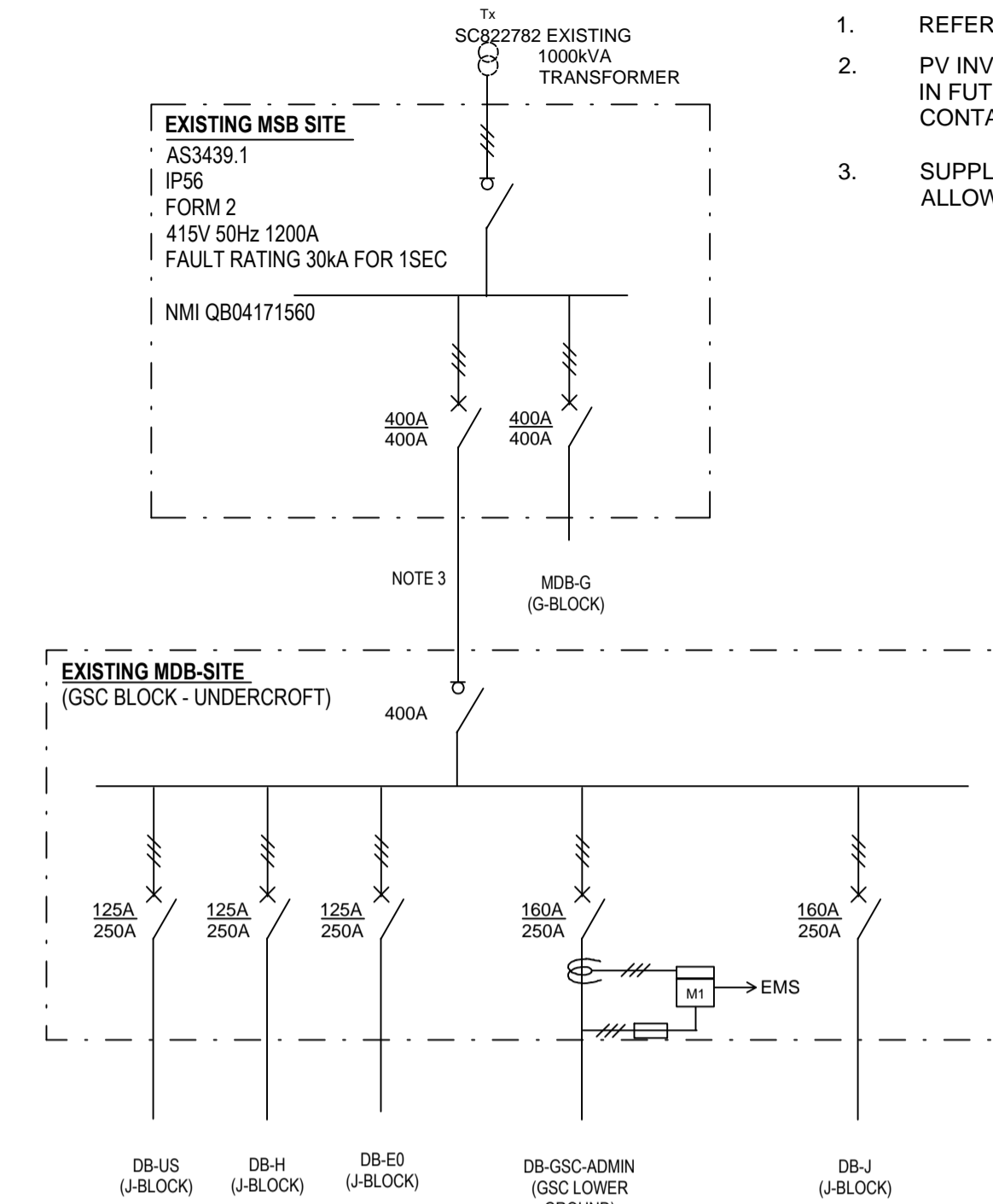


NOTES:

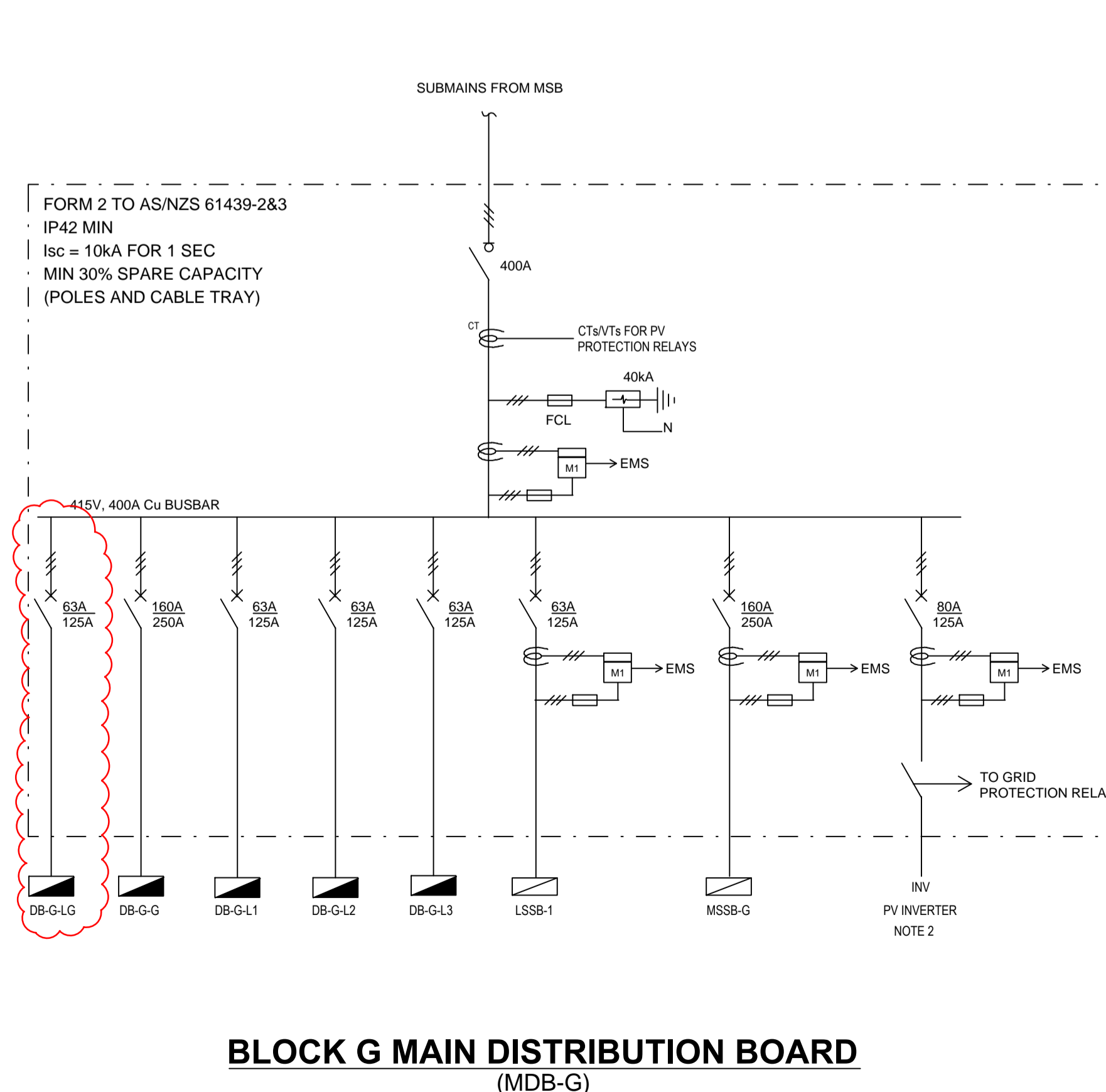
- REFER TO DRAWING E01 FOR LEGEND AND GENERAL NOTES
- PV INVERTER AND SUB-MAIN CABLE TO BE INSTALLED IN FUTURE. SUPPLY AND INSTALL CT's, PROTECTION CONTACTOR MCCB AND METER ONLY.
- SUPPLY AND INSTALL A PARALLEL SUBMAIN CABLE. ALLOW FOR A 4x1C 240mm² + E XLPE/PVC CABLE.



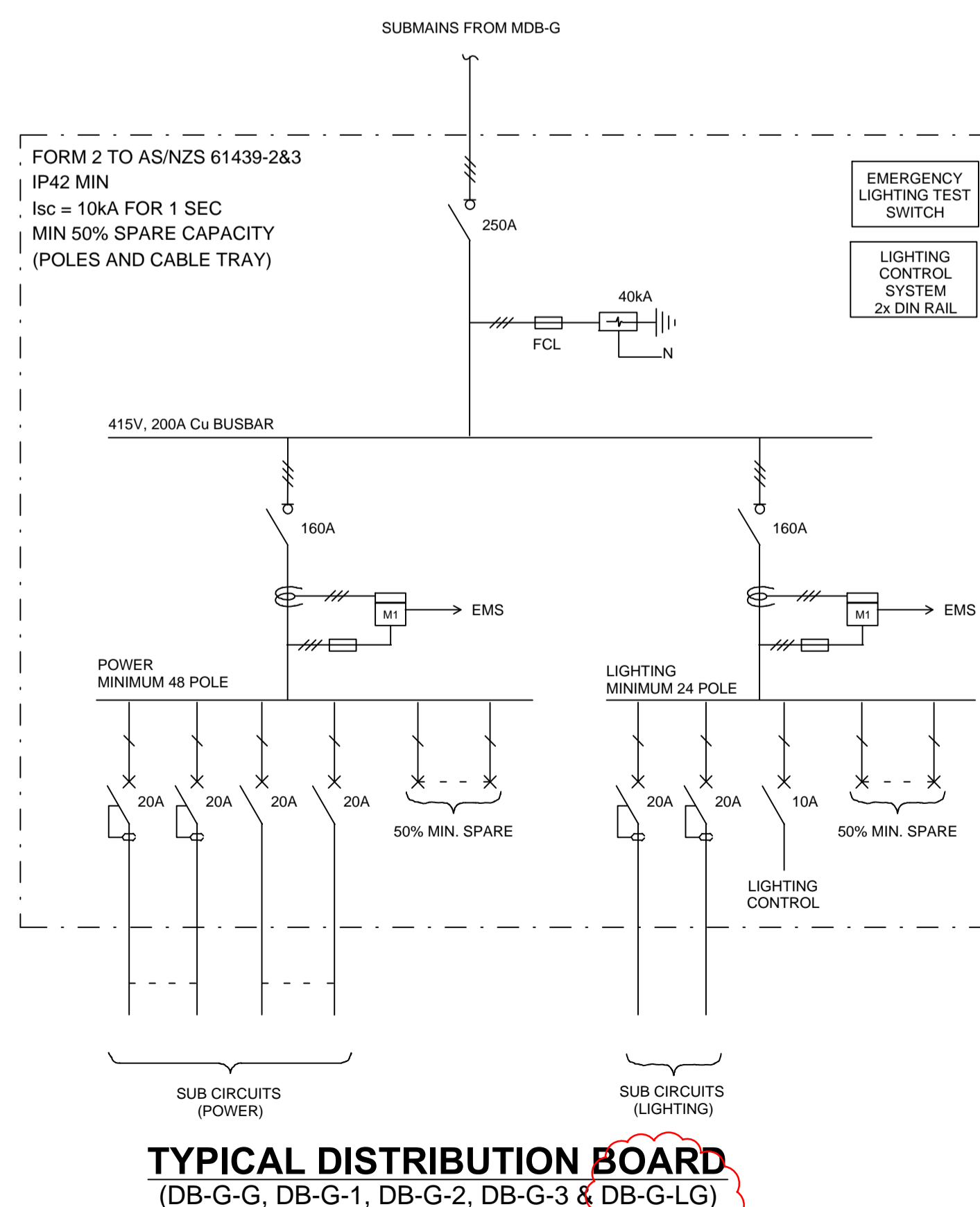
PROPOSED ELECTRICAL BLOCK DIAGRAM



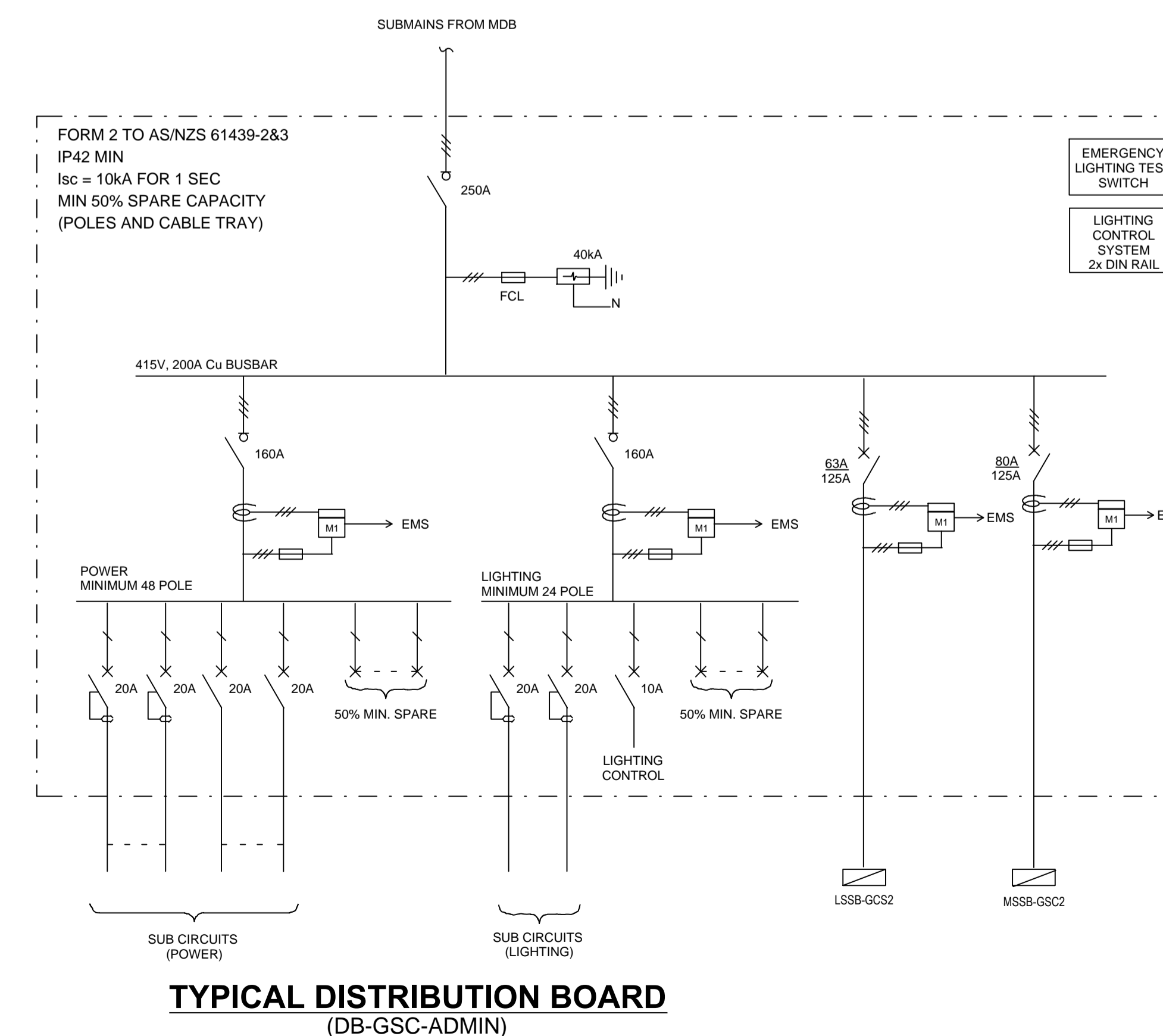
PROPOSED ELECTRICAL SINGLE LINE DIAGRAM



BLOCK G MAIN DISTRIBUTION BOARD (MDB-G)



TYPICAL DISTRIBUTION BOARD (DB-G-G, DB-G-1, DB-G-2, DB-G-3 & DB-G-LG)



TYPICAL DISTRIBUTION BOARD (DB-GSC-ADMIN)

B	INFORMATION	30/11/2023
REV:	DESCRIPTION:	DATE:

ELECTRICAL DESIGN GROUP
ELECTRICAL BUILDING SERVICES CONSULTANTS

BRISBANE: P.O. Box 15 Sherwood Qld 4075
Phone: (07) 3278 4375
Email: brisbane@edg.net.au
Web: www.edg.net.au

ELECTRICAL DESIGN GROUP BRISBANE / TRADING AS: ELECTRICAL DESIGN GROUP
PTY LTD ACN 092 710 793

**LOURDES HILL COLLEGE
STAGE 1**

SITE ADDRESS:
86 HAWTHORNE ROAD,
HAWTHORNE, QUEENSLAND

SCALE: NOT TO SCALE SHEET SIZE: AT A1

DRAWING TITLE:
**ELECTRICAL SERVICES
SCHEMATICS SHEET 1**

PROJECT NO. DRAWING NO. REVISION:

C3134a E03 B